

4

3

2

1

D

D

C

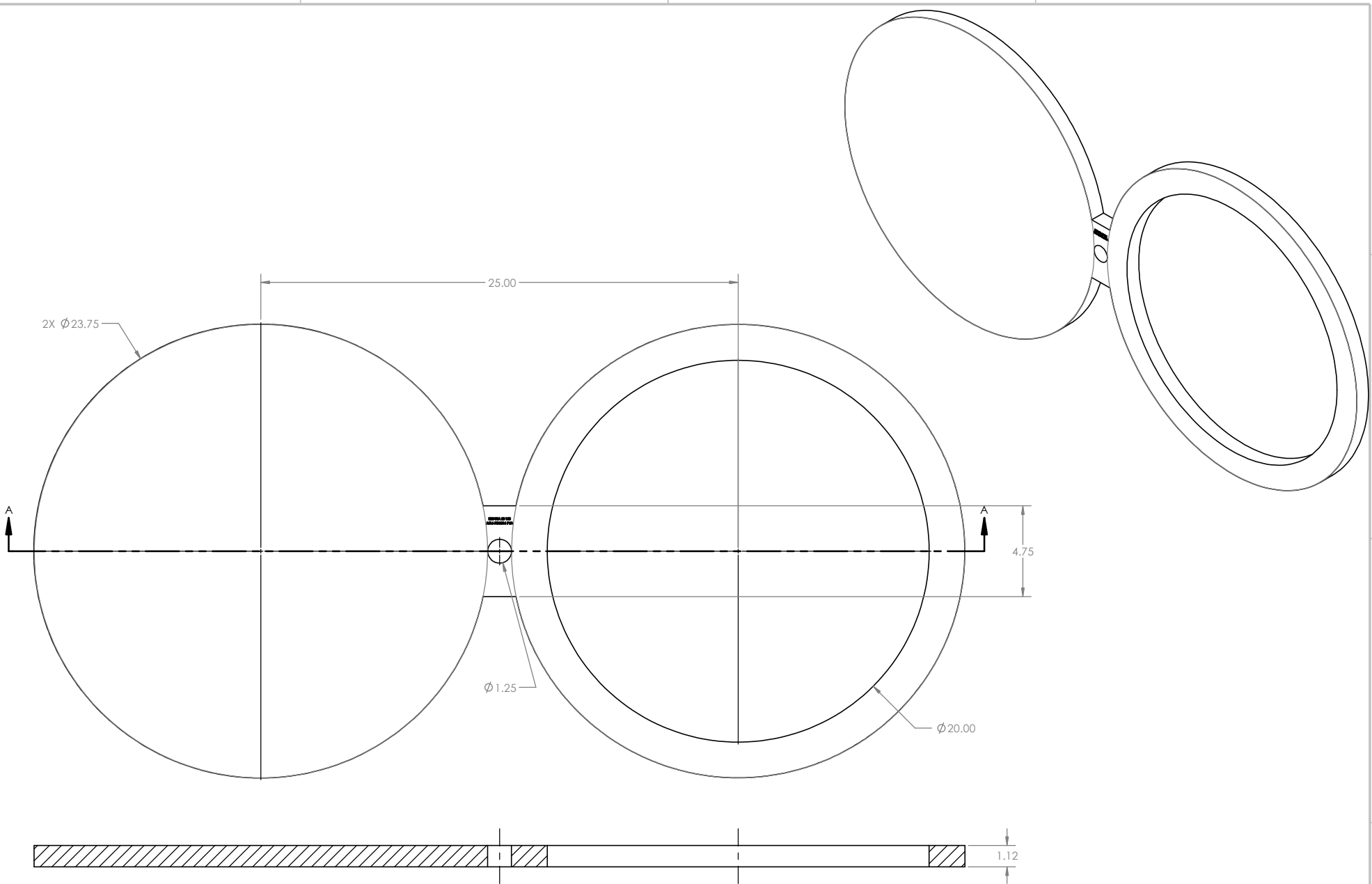
C

B


B

A

A



SECTION A-A

DO NOT SCALE PRINT		UNLESS OTHERWISE SPECIFIED:		HYDROBLIND -ISOLUTIONS
 THIRD ANGLE PROJECTION		OUTSIDE DIAMETER: (+/-0.12) INSIDE DIAMETER: (+/-0.12) THICKNESS TOLERANCES (-ZERO +0.19) ALL UNITS IN INCHES OR POUNDS		
MATERIAL: CUSTOMER REQUESTED		SHEET 1 OF 1		SURFACE FINISH: MACHINE OR MILL
DATE: 06/24/2020	DIMENSIONS & TOLERANCES TO BE IN ACCORDANCE WITH ASME B16.48	WEIGHT 182 lb	DRAWING TITLE:	
SCALE 1:3.5	SIZE C	DRAWING NUMBER: 1SBX	REV 00	20 CL 150 FIGURE 8 BLIND

4

3

2

1