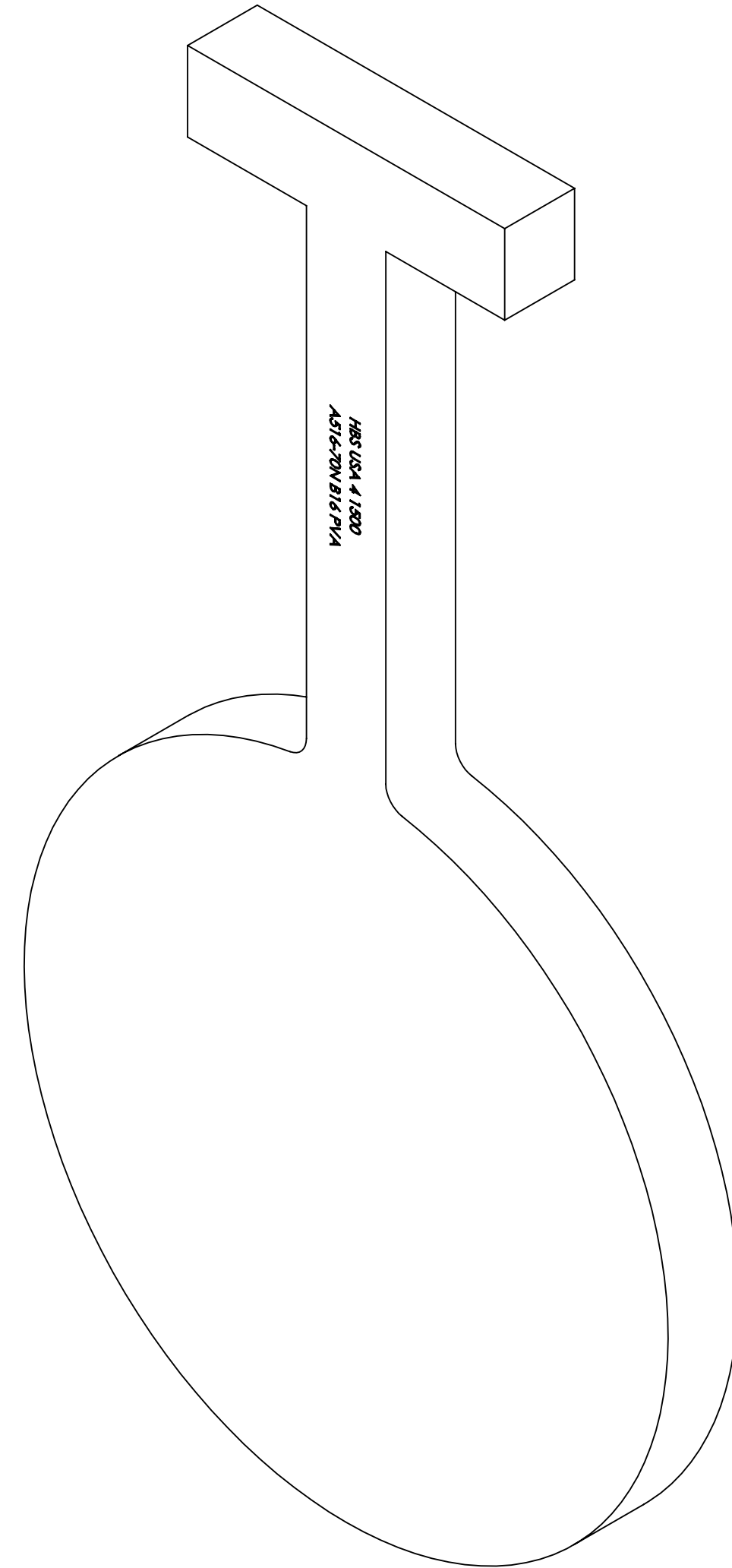
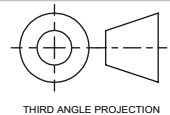


SECTION A-A



| | | | | |
|--|--|--|--|---------------------------------------|
| DO NOT SCALE PRINT | | UNLESS OTHERWISE SPECIFIED: | | HYDROBLIND SOLUTIONS |
|  <small>THIRD ANGLE PROJECTION</small> | | OUTSIDE DIAMETER: (+/-0.12) INSIDE DIAMETER: (+/-0.12) THICKNESS TOLERANCES (-ZERO +0.12) ALL UNITS IN INCHES OR POUNDS | | |
| MATERIAL: CUSTOMER REQUESTED | | SHEET 1 OF 1 | | SURFACE FINISH: MACHINE OR MILL |
| DATE: 06/08/2020 | DIMENSIONS & TOLERANCES TO BE IN ACCORDANCE WITH ASME B16.48 | WEIGHT 17 lb | DRAWING TITLE: 4 CL 1500 PADDLE BLIND T HANDLE | |
| SCALE 1:1.3 | SIZE C | DRAWING NUMBER: FPBO | REV 00 | |